

Basic Rack PDU

Rack PDU, Basic, ZeroU, 5.7kW, 120V, (42)5-20; 10' Cord



APC Basic Rack PDU , Input: 208V 3PH , Input
Connections: NEMA L21-20P , Cord Length:
10 feet (3.05 meters) , Output: 120V , Output
Connections: NEMA 5-20R

Includes: Installation guide, Rack Mounting
brackets, Toolless Mounting Kit

Standard Lead Time: Usually in Stock

AP7592 Features

Toolless Mounting Capabilities	Units do not require additional tools to mount into APC NetShelter VX, which allows the users to quickly and easily mount units in the rear of the enclosure.
Vertical Mounting Capabilities	Easily mounts vertically in racks or enclosures and occupies zero U of valuable rack space, which allows more equipment in the rack. Units that mount vertically are optimized to fit in a NetShelter VX enclosures.

Basic Rack PDU Features & Benefits

Agility	
Rack-Mountable	Includes horizontal, vertical, and toolless-mount varieties. Puts power where it is needed most - in the racks near the equipment.
Single input power source	Supply power from one branch whip to multiple pieces of equipment, conveniently powering rack-mount equipment. Saves time and money during installation by using one branch whip and standard connections.
Wide range of input and output connections	Product family includes a variety of input and output connections to distribute 120V, 208V, or 230V power to multiple outlets. Having a variety of inputs and outputs allow users to adapt to varying power requirements. APC offers units that bring up to 14.4kW using a single branch whip.

Output

Nominal Output Voltage	120V
Maximum Total Current Draw per Phase	16A
Output Connections	(42) NEMA 5-20R



Input

Nominal Input Voltage	208V 3PH
Input Frequency	50/60 Hz
Regulatory Derated Input Current (North America)	16A
Input Connections	NEMA L21-20P
Cord Length	3.05 meters
Number of Power Cords	1
Maximum Input Current per phase	20A
Load Capacity	5700 VA

Physical

Net Weight	5.57 KG
Maximum Height	1778.00 mm
Maximum Width	56.00 mm
Maximum Depth	44.00 mm
Shipping Weight	8.86 KG
Shipping Height	2134.00 mm
Shipping Width	152.00 mm
Shipping Depth	127.00 mm
Color	Black

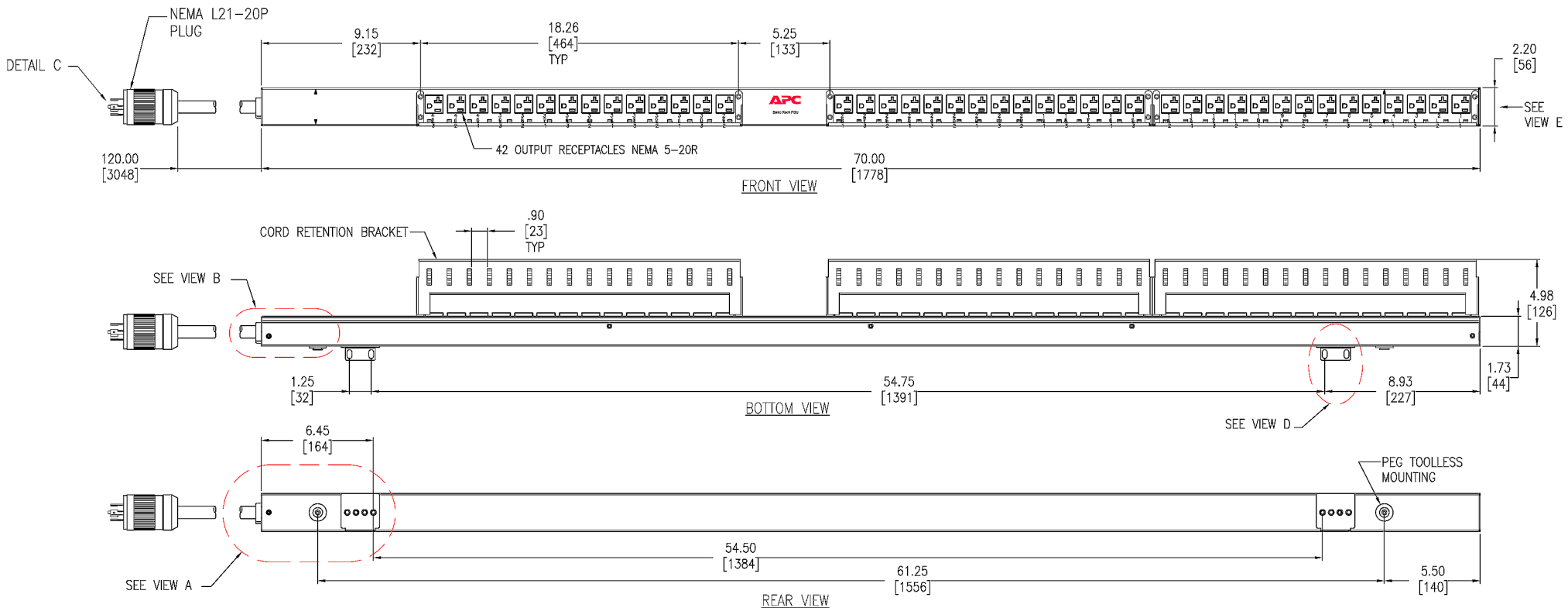
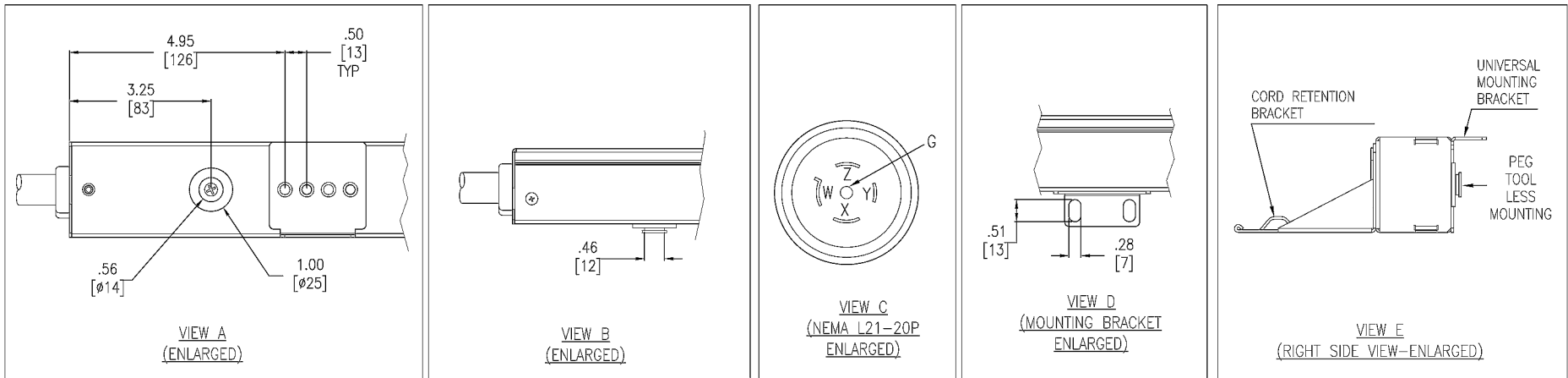
Environmental

Operating Environment	0 - 45 °C
Operating Relative Humidity	5%
Operating Elevation	0-3000 meters
Storage Temperature	-25 - 65 °C
Storage Relative Humidity	5%

Storage Elevation	0-15000 meters
-------------------	----------------

Conformance

Regulatory Approvals	cUL Listed,CSA C22.2 No. 60950-1-03,UL 60950-1,UL Listed
Standard Warranty	2 years repair or replace
ROHS/WEEE Compliance	RoHS



NOTES:

1. INSTALLATION SHALL COMPLY WITH ALL APPLICABLE NATIONAL, STATE AND LOCAL CODES.
2. PLEASE REFER TO APC PRODUCT MANUAL.
3. ALL DIMENSIONS ARE IN INCHES [MILLIMETERS].
4. NET WEIGHT IS 12.25 LBS [5.57kg].
5. BRACKET KITS TO MOUNT TO SPECIFIC COMPETITORS RACKS ARE AVAILABLE AS OPTIONS.

THIS DRAWING AND SPECIFICATIONS HEREIN ARE THE PROPERTY OF AMERICAN POWER CONVERSION AND SHALL NOT BE COPIED, REPRODUCED OR USED IN WHOLE OR IN PART, AS THE BASIS FOR THE MANUFACTURE OR SALE OF ITEMS WITHOUT WRITTEN PERMISSION FROM APC. THIS DRAWING IS BASED UPON LATEST AVAILABLE INFORMATION AND IS SUBJECT TO CHANGE WITHOUT NOTICE.



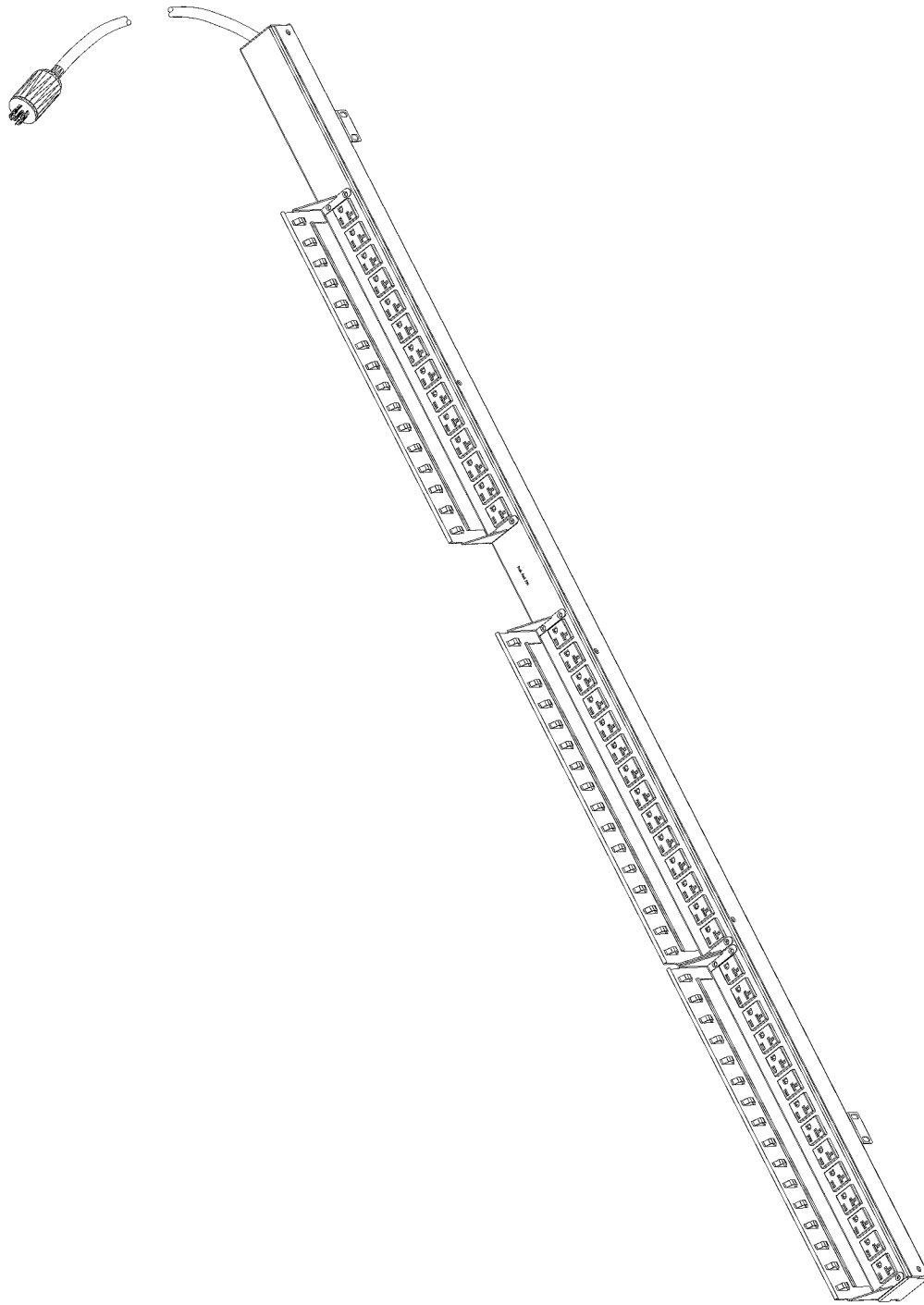
TITLE: RACK PDU, BASIC, ZERO U, 5.7kW
 INPUT: 280V, 16A, NEMA L21-20P
 OUTPUT: 120V, (42) NEMA 5-20R
 MAIN MECHANICAL

PROJECT: SUBMITTAL DRAWINGS SHEET 1 OF 2

DWG NO: AP7592
 DRAWN: B ZAHN
 ENGINEER: Y JIANG/T HORSTMANN
 APPROVED: B SHERIDAN

REV: 0
 THIRD ANGLE PROJECTION

ISOMETRIC VIEW



THIS DRAWING AND SPECIFICATIONS HEREIN ARE THE PROPERTY OF AMERICAN POWER CONVERSION AND SHALL NOT BE COPIED, REPRODUCED OR USED IN WHOLE OR IN PART, AS THE BASIS FOR THE MANUFACTURE OR SALE OF ITEMS WITHOUT WRITTEN PERMISSION FROM APC. THIS DRAWING IS BASED UPON LATEST AVAILABLE INFORMATION AND IS SUBJECT TO CHANGE WITHOUT NOTICE.



TITLE: RACK PDU, BASIC, ZERO U, 5.7kW
 INPUT: 208V, 16A, NEMA L21-20P
 OUTPUT: (42) NEMA 5-20R
 ISOMETRIC VIEW

DWG NO: AP7592

REV 0

DRAWN: B ZAHN

PROJECTION

ENGINEER: Y JIANG/T HORSTMANN

ANGLE

APPROVED: B SHERIDAN

N/A



Basic Rack PDU

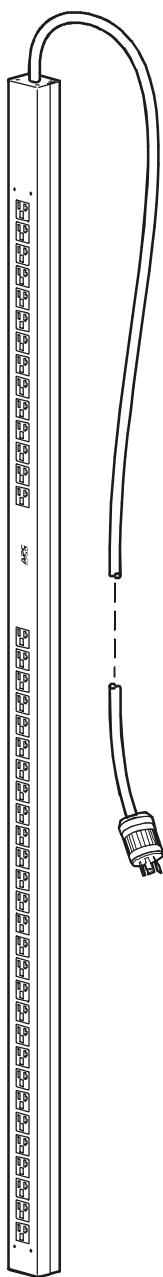
Overview

The American Power Conversion® Basic Rack PDU distributes power to devices in the rack.

Outlets. The PDU has forty-two (42) NEMA 5-20 outlets.

Power cord. The 10-foot (3.05-meter) power cord terminates with a NEMA L21-20 connector.

AP7592





Specifications for AP7592

Electrical

Input connector	NEMA L21-20 plug
Output connectors	(42) NEMA 5-20 outlets
Nominal input voltage	120/208 V, 3-phase
Acceptable input voltage	± 10% of normal voltage
Input frequency	47–63 Hz
Cord length	10 ft (3.05 m)

Physical

(H × W × D)	70.0 × 2.19 × 1.73 in (177.80 × 5.56 × 4.39 cm)
Shipping dimensions (H × W × D)	83.00 × 4.5 × 6.0 in (210.82 × 11.43 × 15.24 cm)
Weight	12.25 lb (5.56 kg)
Shipping weight	19.5 lb (8.8 kg)

Environmental

Maximum elevation (above MSL)	
Operating	15 000 ft (4500 m)
Storage	50 000 ft (15 000 m)
Temperature	
Operating	23 to 113° F (–5 to 45° C)
Storage	–13 to 149° F (–25 to 65° C)
Humidity	
Operating	5–95% RH non-condensing
Storage	5–95% RH non-condensing

Compliance

Safety verification	UL Listed, cUL 60950
---------------------	----------------------



990-1775A